

# “USA Available 900HP Trailer Mounted Work-Over/Drill Rig (1)”

This document contains confidential information

## Description

### **WORK-OVER/DRILLING RIG**

Type: Skytop Brewster TR800, 900 HP Trailer-Mounted Workover/Drilling Rig

Manufacturer: Skytop Brewster, USA

Date of Manufacture: 1974 (full re-certification 2009)

Certified to API 4G Third Edition, Category 4

# General Specifications

- 115 feet clear working height, 410,000 lb telescoping mast
- Crown Block set for an 8 line string Up
- API Operating Hook Load is 388,000
- Drill Line size 1 1/8 inch
- Qty 1 42 inch fast Line Sheave, Qty 3 30 inch cross over sheaves, Qty 1 Dead Man
- Crown Sheaves are grooved 1 1/8 inch.
- Racking Board Height 55, 58 or 70 Feet
- Racking Board Capacity 10,080 feet – 4 ½ inch Drill Pipe (Doubles)
- Stand Pipe with Gooseneck union and 4 inch 5000 Psi Gate Valves
- Model H14610-38 Draw-works
- Clutch – Twin Disc Model P0-230 & P0-234
- Brakes – 46 x 10 New Drum grooved for 1 1/8 inch Drill Lane, sand Line Drum Disc Model PO-224
- Brakes 38 x 8 Hydromatic Brake – WWL V-80 Hydromatic water assist Brake compound
- 2 x Factory Detroit Diesel model 60 series rated at 475 HP each @ 2100 rpm
- Factory Allison Model CLT-5860-4 (5 speed) with integrated drop box offering 1, 2 & 3 disconnect output options
- Unit Length 71 feet x Width 13.3 feet x Height 16.25 feet



SUDELAC®

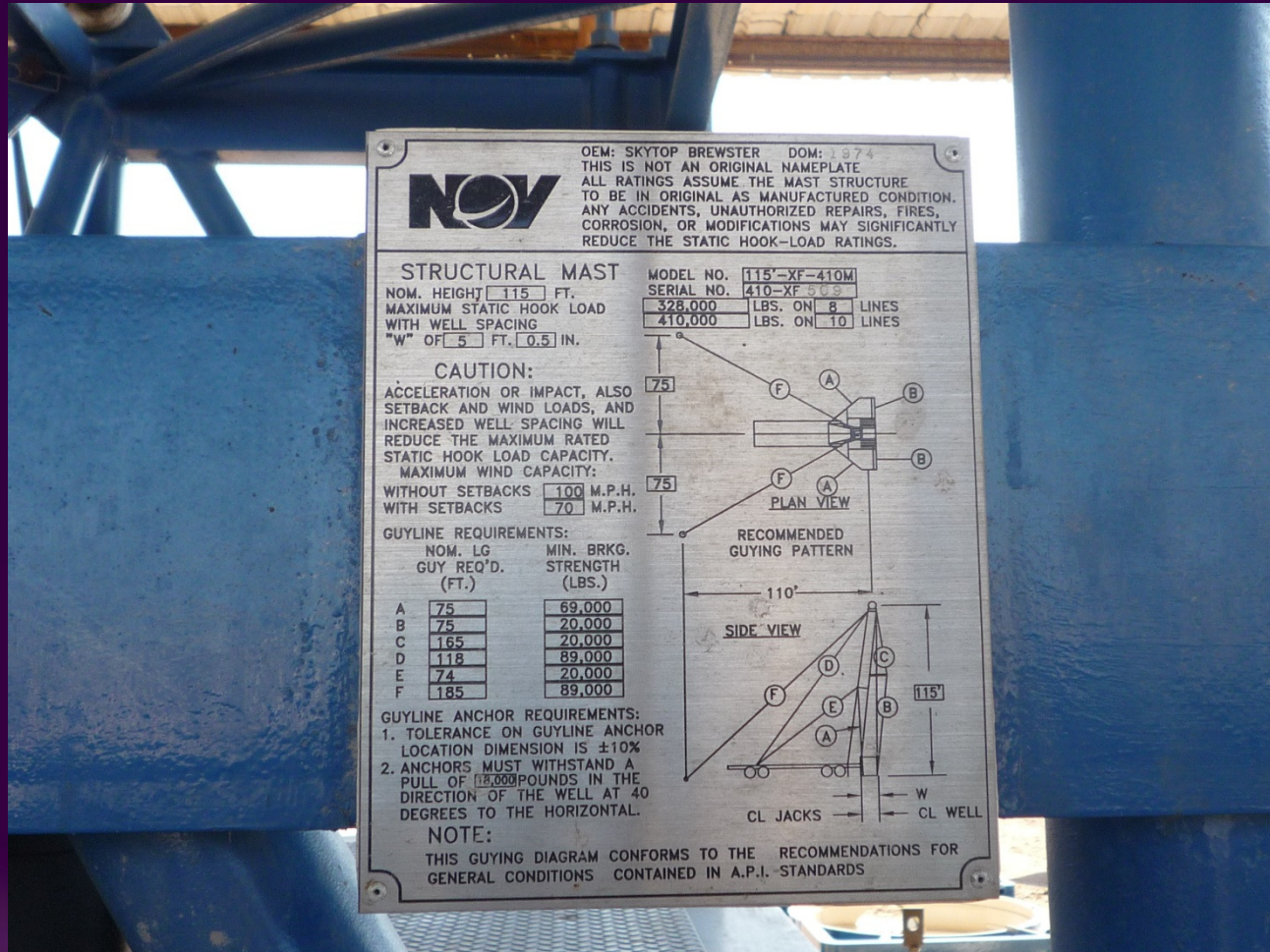


SUDELAC®



SUDELAC®





OEM: SKYTOP BREWSTER DOM: 1974  
 THIS IS NOT AN ORIGINAL NAMEPLATE  
 ALL RATINGS ASSUME THE MAST STRUCTURE  
 TO BE IN ORIGINAL AS MANUFACTURED CONDITION.  
 ANY ACCIDENTS, UNAUTHORIZED REPAIRS, FIRES,  
 CORROSION, OR MODIFICATIONS MAY SIGNIFICANTLY  
 REDUCE THE STATIC HOOK-LOAD RATINGS.

**STRUCTURAL MAST**

NOM. HEIGHT 115 FT.  
 MAXIMUM STATIC HOOK LOAD  
 WITH WELL SPACING  
 "W" OF 5 FT. [0.5] IN.

MODEL NO. 115'-XF-410M  
 SERIAL NO. 410-XF-509  
 328,000 LBS. ON 8 LINES  
 410,000 LBS. ON 10 LINES

**CAUTION:**

ACCELERATION OR IMPACT, ALSO  
 SETBACK AND WIND LOADS, AND  
 INCREASED WELL SPACING WILL  
 REDUCE THE MAXIMUM RATED  
 STATIC HOOK LOAD CAPACITY.  
 MAXIMUM WIND CAPACITY:

WITHOUT SETBACKS 100 M.P.H.  
 WITH SETBACKS 70 M.P.H.

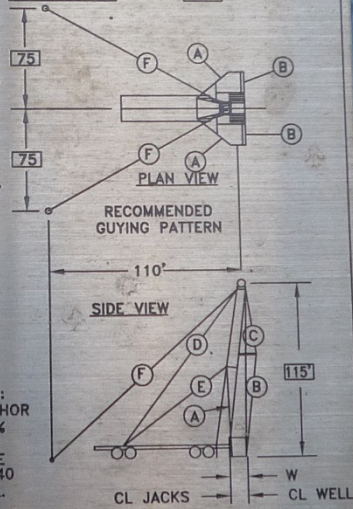
**GUYLINE REQUIREMENTS:**

	NOM. LG GUY REQ'D. (FT.)	MIN. BRKG. STRENGTH (LBS.)
A	75	69,000
B	75	20,000
C	165	20,000
D	118	89,000
E	74	20,000
F	185	89,000

- GUYLINE ANCHOR REQUIREMENTS:**
1. TOLERANCE ON GUYLINE ANCHOR LOCATION DIMENSION IS ±10%
  2. ANCHORS MUST WITHSTAND A PULL OF 10,000 POUNDS IN THE DIRECTION OF THE WELL AT 40 DEGREES TO THE HORIZONTAL.

**NOTE:**

THIS GUYING DIAGRAM CONFORMS TO THE RECOMMENDATIONS FOR GENERAL CONDITIONS CONTAINED IN A.P.I. STANDARDS





Unit originally purchased in USA for North African contract that got un-avoidable cancelled due to conflict. Unit has never been used since fully reconditioned and built prior to contract cancellation. Unit has been stored since 2009. Unit requires addition of substructure and rotary table to make fully functional but these items are readily available in USA.

Email: [info@sudelac.com](mailto:info@sudelac.com)  
[www.sudelac.com](http://www.sudelac.com)

This document contains confidential information